

Rapid Deploy Stand-Alone Power System



A modular and customisable clean energy solution for accelerated deployment.



Rapid Deploy Stand-Alone Power System



- Reliable, on-demand power
- Tried and tested technology
- Built to withstand harsh conditions
- Remote operation
- 24/7 cloud-based monitoring
- Low maintenance
- Cleaner, greener power supply
- Australian made using world-class componentry
- Transportable, quick install
- Single, split or three-phase configurations

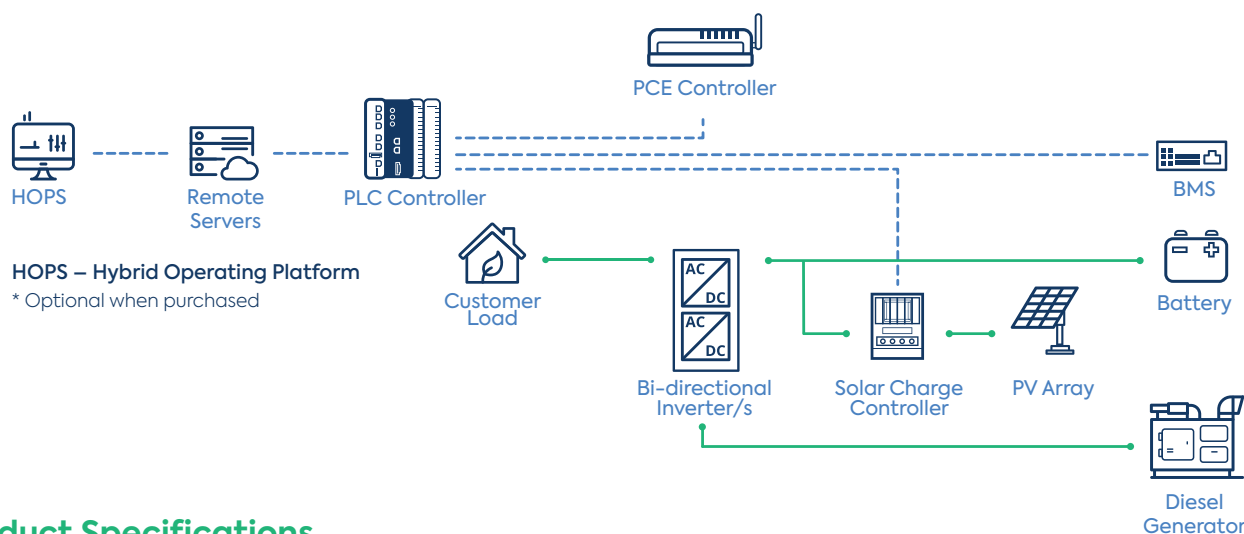
Pacific Energy's Rapid Deploy Stand-Alone Power System (RD-SPS) has been engineered inhouse to combine modular design and renewable energy technology in a quick-to-install skid mounted system.

The utility-spec design seamlessly integrates solar, battery storage and inverters, an intelligent control system and a back-up diesel generator in an all-in-one transportable module that can supply power in under 60 minutes from delivery.

This renewable energy generator is an ideal solution for network outages caused by natural disasters and unforeseen events and can provide quick relief for end-of-grid power users or replace traditional generators in mining, construction and event applications.

The RD-SPS, which is designed, manufactured and tested in Australia, can be offered in high output single, split or three-phase configurations, with battery capacity up to 120kWh that can provide enough storage to last several days.

The RD-SPS can be combined with temporary ground mount or rapidly deployable skid mount arrays and work in conjunction with existing PV installations up to 36kWp. The unit also provides utility network standard fault contribution protection and in-rush current to ensure the equipment operates as if it were on the grid.



Product Specifications

Each system has multiple single and three-phase outlets to suit your needs.

HIPS Rapid Deploy Stand-Alone Power System	
Continuous Power @ 25°C (kW)	20.4 (6.8/per phase)
Peak Power [30 min] (kW)	25.5 (8.5/per phase)
Fault Current (A)	65/per phase
PV Array (kWp)	6.3 (additional PV available on request)
Battery Storage (kWh)	37
Supply Voltage (V)	400 – 415
Package	IP56 Outdoor Temperature Controlled Enclosure Back-up Diesel Generator PV Array Combined onto a single Skid
Dimensions (mm)	2990(H) x 2440(W) x 2850(L)
Approximate Weight (kg)	3229 (Dry)
Backup Generator	22kVA

* Remote monitoring is included with our leasing packages